

Product Specifications

NAME: RF Audio Controller(Aluminum version)

MODEL: LN-CONAudio-RF6B(H)-3CH-LV(L=5,6,12,24)



Summarization

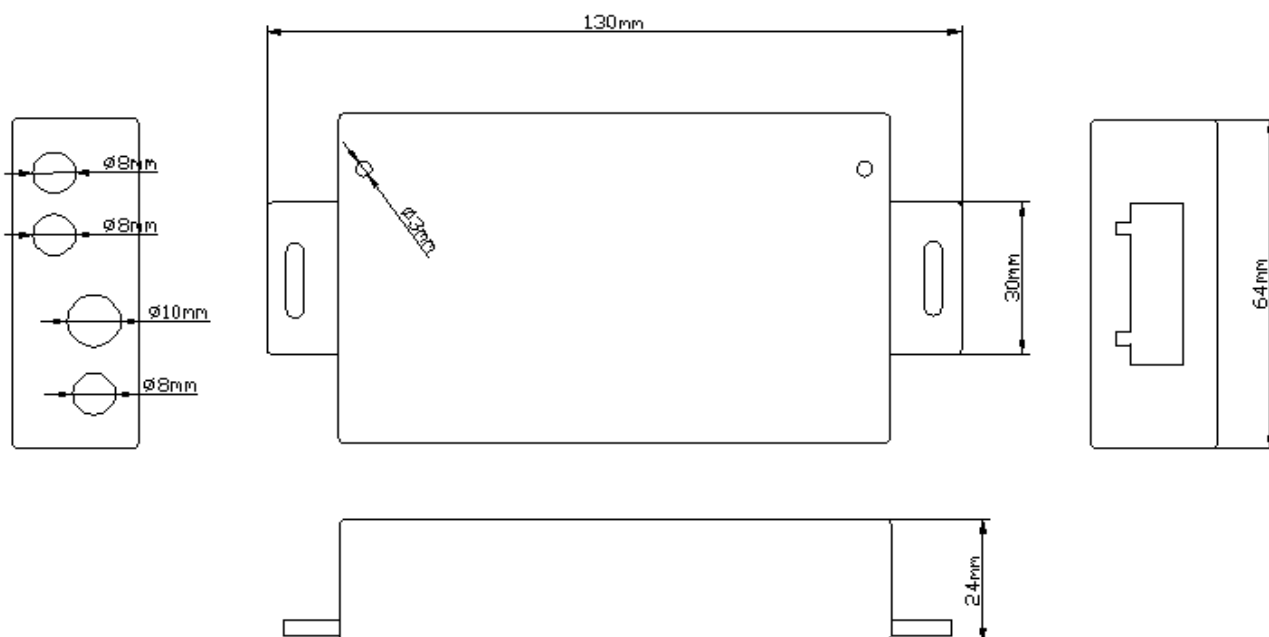
RF Audio controller adopts the advanced micro control unit, it is used for controlling a variety of lamp whose source of light is LED. For instance, point source of light, flexible light strip, wall washer lamp, glass curtain wall light and so on; At the same time, it has many advantages such as convenient connection, simplicity to use and others. According to the actual need of customers, it can carry out jumpy changing, gradual changing, stroboflash and other effects of change.

Technical parameters

- Working temperature: -20-60 °C
- Supply voltage: DC5V, 12V, 18V, 24V <optional> (for orders specify voltage)
- Output: 3 channels
- Connecting mode: common anode
- Transmission/Receiving frequency: 433Mhz
- External dimension: L130×W64×H24 mm
- Packing size: L145×W95×H50 mm
- Net weight: 185g
- Gross weight: 220g
- Static power consumption: <1W
- Output current: <4A (each channel)
- Output power: 5V:<60W, 12V:<144W, 24V:<288W

Product Specifications

External Dimension



Interface Specifications

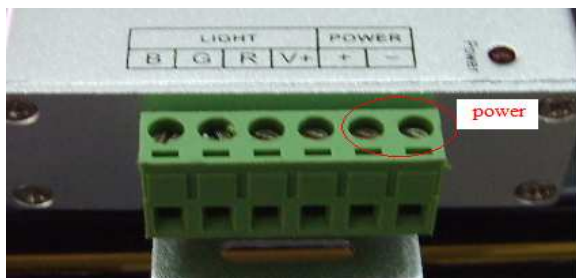
Power input interface (the first way):



Adopt conventional DC power Transposon as power input

interface, and equip with plug-DC.

Power input interface (the second way):



Adopt male and female connector with screw.

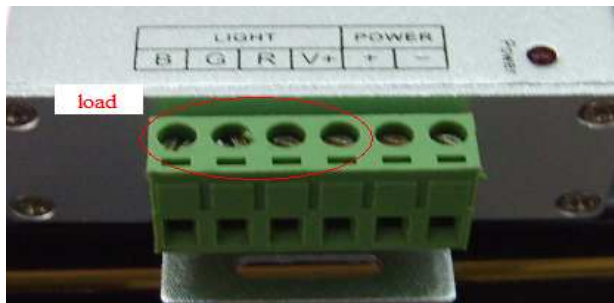
Product Specifications

Signal input interface:



Adopt 3.5 earphone tie-in insert Audio.

Load output interface:



Adopt male and female connector with screw.

Direction for use

1. Connect the load wire at first, following by the power wire; **Please ensure short circuit can not occur between connecting wire before you turn on the power;**
2. Adopt RF control, there are six buttons altogether, and every key-press function is as follows:

ON/OFF: any state to close load output;

MODE: is the style/color function key, could choose different color changes, 13 total;

Button "B+": Brightness control of the output signal each press changing speed +1, 256 total.

Button "B-": each press brightness changing -1

Button "S+": each press changing speed +1, 100 total.

Button "S-": each press changing speed -1.

Note: When the external microphone input and audio signal input at the same time, system will process the audio signal.

Product Specifications

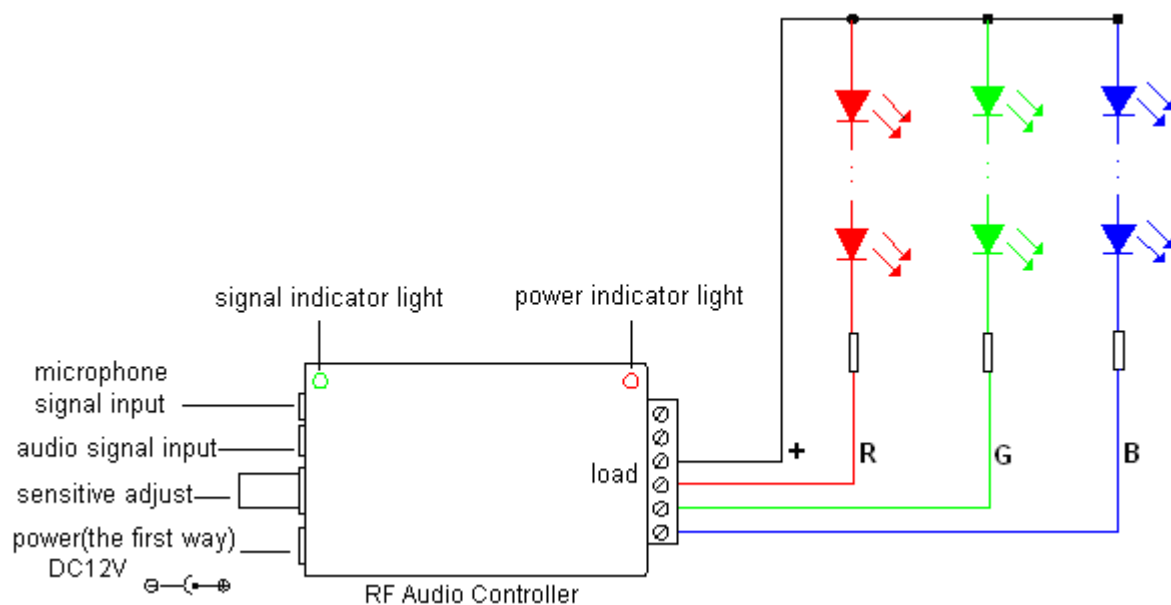
3. Standard changes function as the following form:

No	Patterns	Remarks
1	Static red	Brightness is adjustable,Speed is unadjustable.
2	Static green	
3	Static yellow	
4	Static blue	
5	Static purple	
6	Static cyan	
7	Static white	
8	Three-color jumpy changing	Speed and brightness are adjustable
9	Seven-color jumpy changing	
10	Three-color gradual changing	Speed is adjustable
11	Seven-color gradual changing	
12	Three-color jumpy changing(extenal signal)	Speed changes with the voice swing, brightness controlled with the volume,the higher volume is, the greater the brightness.
13	Seven-color jumpy changing (extenal signal)	

Product Specifications

Typical Application

Application circuit 1:



Application circuit 2:

